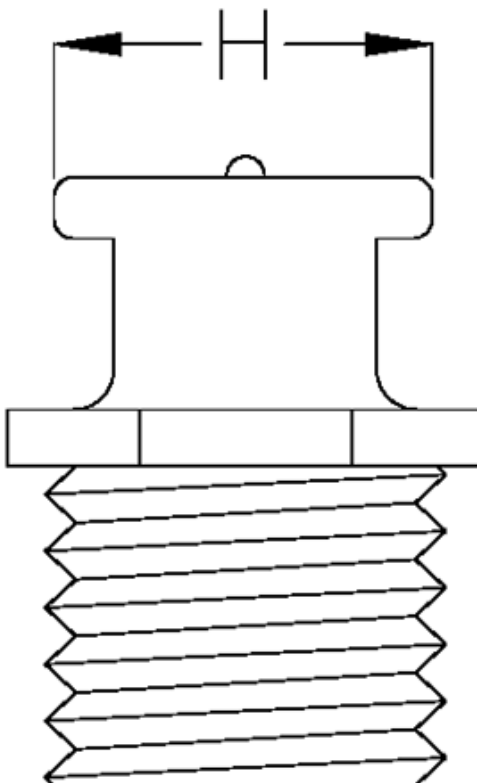


Article number: 53090303R

Description: KLEE Ball typelubrication nipple DIN 71412 M6 x 1.0

Measures



H = 22

Thread = M6x1,0